

CA500



Underwater Viewing Power

Combine the fish-finding power of an Airmar transducer with the viewing capability of the Airmar CA500 Camera and get the ultimate underwater observation system. This thru-hull camera will display what is directly below the boat, making it an ideal underwater fishing camera or underwater video surveillance/safety system. Simply connect the single cable to any display with a PAL or NTSC input and spy on the underwater world.

Rugged and Serviceable

We have combined the industry renowned Airmar housings with one of the lowest Lux (0.01) cameras available today—all protected by a sapphire viewing window that resists scratching or cracking. The retractable housing with valve is available in plastic, bronze, or stainless steel and allows for easy servicing and cleaning of the camera while the boat is in the water. See what you have been missing with the Airmar CA500 Underwater Camera.

Underwater Camera

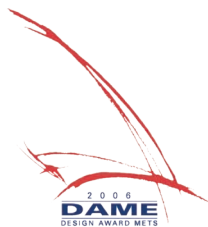
Thru-Hull

Features

- Low lux (0.01) for day or night viewing
- PAL or NTSC output versions available
- Available in plastic, bronze, or stainless steel housings
- Waterproof
- Sapphire viewing window
- Retractable insert
- Self-closing water valve
- Patent pending

Applications

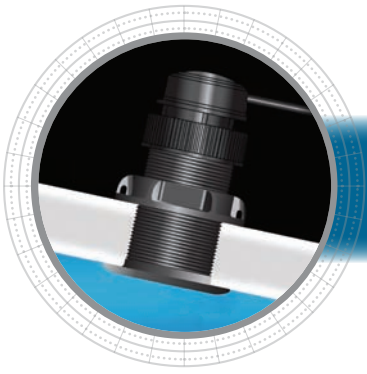
- Sportfishing
- Research and survey
- Scuba diving
- Search and recovery
- Commercial fishing
- Surveillance and safety



 **AIRMAR**[®]
TECHNOLOGY CORPORATION

Sensing Technology

www.airmar.com



Technical Information

SPECIFICATIONS

- Camera:** 1/3" Sony CCD
- PAL (H x V):** 500 x 582, 625 lines, 50 field per second
- NTSC (H x V):** 510 x 492, 525 lines, 60 field per second
- Operating Temperature:** -10°C to 50°C (14°F to 122°F)
- Storage Temperature:** -20°C to 60°C (-4°F to 140°F)
- Sync System:** Internal synchronization
- Minimum Illumination:** 0.5 day or 0.01 night lux
- Resolution:** 420 TV lines
- Angle of View in Water:** 92° diagonal
- Focal Length:** 3.6 mm (0.14")
- Aperture:** F 2.0
- Built-In Lens:** 4.3 mm (0.17") cone pinhole lens
- S/N Ratio:** >46 dB
- White Balance:** 1 Vp-p 75 ohms negative
- Operating Voltage:** 10 VDC to 15 VDC
- Supply Current:** 100 mA
- Standard Cable Length:** 20 m (66')
- Weight:**
 —0.9 kg (2.0 lb)—Plastic
 —1.9 kg (4.2 lb)—Bronze and Stainless Steel
- CE Regulations:** Complies to IERC945

DIMENSIONS

P617V Plastic, B617V Bronze, and SS617V Stainless Steel

