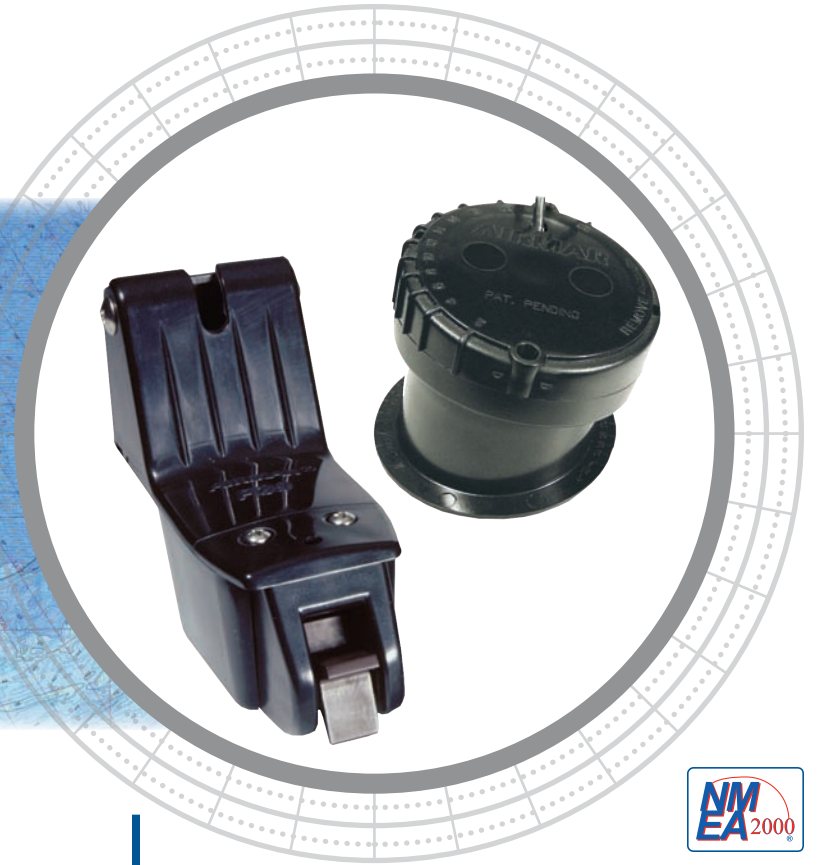
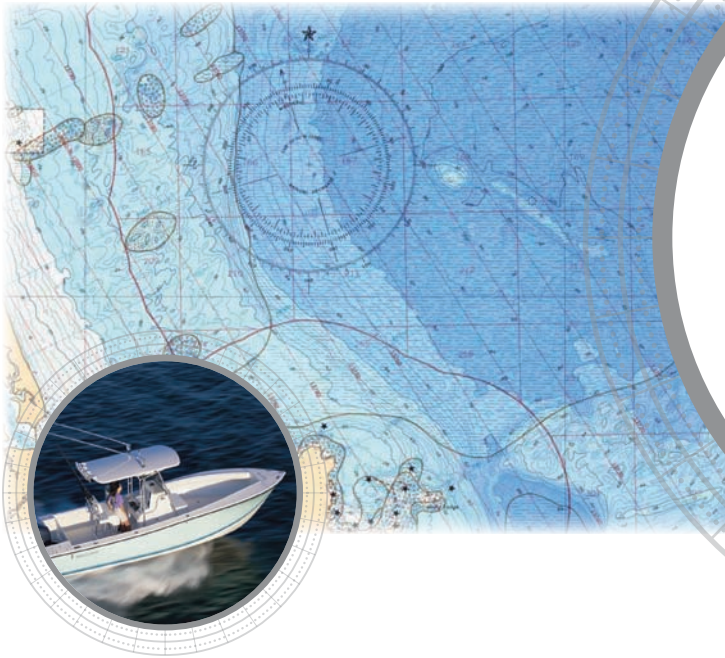


# P39 P79



## The Smart Alternative!

Airmar's P39 and P79 Smart™ Sensors feature embedded micro-electronics. Depth, speed, and temperature signals are processed inside the sensor and can be displayed on any radar, chart plotter, or device that accepts NMEA 0183 or NMEA 2000® data. The 235 kHz frequency prevents mutual interference with other echosounders on the vessel.

## P39— Smart Depth, Speed, and Temperature

The P39 transom-mount incorporates innovative features such as a recessed waterflow channel for improved paddlewheel accuracy. Few parts make the installation simple, and its compact size is favorable to owners of smaller outboard and inboard/outboard boats.

## P79— Simple! Convenient!! Adjustable!!!

The P79 is easy-to-install, accommodating hull deadrise angles up to 22°.

1. Mount the base flange inside the hull
2. Adjust the locking ring for the correct hull deadrise angle
3. Fill the base with non-toxic anti-freeze (propylene glycol)
4. Turn and lock the transducer into the base

## P39—Transom-Mount TRIDUCER® Multisensor P79—In-Hull Adjustable Smart™ Sensors

### Features

- 235 kHz frequency prevents mutual interference with other echosounders on the vessel
- 6 m (20') NMEA 2000 cable
- Devicenet connector

### P39—Transom-Mount

- Plastic kick-up bracket
- Accommodates transom angles between 2° and 22°
- Recessed waterflow channel protects paddlewheel

### P79—In-Hull

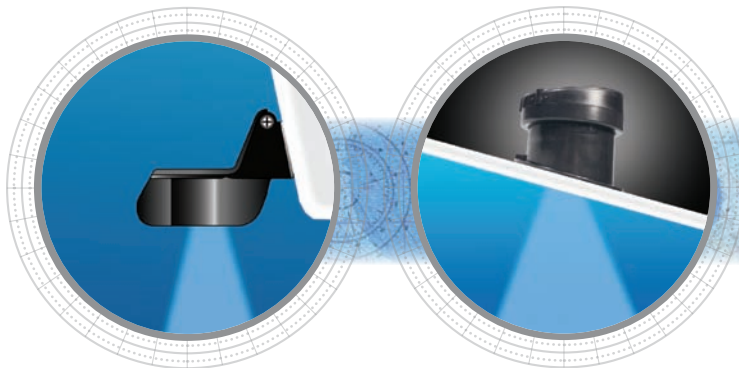
- No holes to drill
- Installation can be done while the boat is in the water
- Recommended for solid fiberglass hulls
- Epoxies to aluminum hulls under 0.38 mm (0.150") thick
- Easily adapts to deadrise angles up to 22°



*Sensing Technology*

[www.airmar.com](http://www.airmar.com)

# P39, P79



## Technical Information

### P39—235 kHz-A NMEA 0183 / NMEA 2000®

<b>Number of Elements and Configuration</b>	○	
<b>Beamwidth (@-3 dB)</b>	11°	
<b>RMS Power (W)</b>	60 W	100 W

### P79—235 kHz-A NMEA 0183 / NMEA 2000®

<b>Number of Elements and Configuration</b>	○	
<b>Beamwidth (@-3 dB)</b>	7°	
<b>RMS Power (W)</b>	60 W	100 W

### SPECIFICATIONS

**Weight:**

—0.5 kg (1.1 lb)—P39  
—0.9 kg (2 lb)—P79

**Acoustic Window:** Layered plastic urethane

**Transom Angle:** 0° to 22°—P39 only

**Hull Deadrise:** 0° to 22°—P79 only

**Data Update Rate:** 1 per second

**Minimum Depth Range:** 0.5 m (1.6')

**Maximum Depth Range:**

—Up to 100 m (330')—NMEA 0183

—Up to 150 m (500')—NMEA 2000

**Pressure Rating:** 3 m (10')

**Pulse Rate:** 20,000 p/nm\* (5.6 Hz per knot)—\*p/nm = pulses per nautical mile

**Supply Voltage:**

—10 VDC to 28 VDC—NMEA 0183

—9 VDC to 16 VDC—NMEA 2000

**Supply Current:**

—<40 mA—NMEA 0183

—<200 mA—NMEA 2000

**Standard Cable Length:**

—10 m (33')—NMEA 0183

—6 m (20') devicenet—NMEA 2000

**Temperature Sensor Accuracy:** ±0.5°C (±1.8°F)—P39 only

**Temperature Sensor Range:** -10°C to 40°C (14°F to 104°F)—P39 only

**NMEA 2000® Load Equivalency Number (LEN):** 4

**CE Regulation:** Complies to IERC60945

### DATA OUTPUT PROTOCOL

**NMEA 0183 Sentence Structure**

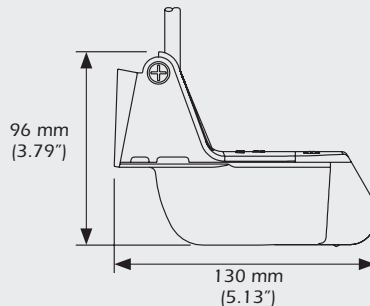
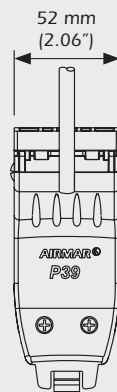
\$SDBT, DDPT.....Depth  
\$VWVHW.....Speed—P39 Only  
\$VWLW.....Distance—P39 Only  
\$YXMTW.....Water Temperature—P39 Only

**NMEA 2000® Supported PGNs**

59392.....ISO Acknowledgement  
060928.....ISO Address Claim  
126208.....Acknowledge Group Function  
126464.....Transmit PGN List Group Function  
126464.....Received PGN List Group Function  
126996.....Product Information  
128259.....Speed (Speed Water Reference)—P39 Only  
128267.....Water Depth (With Transducer Offset)  
128275.....Distance Log—P39 Only  
130310.....Environmental Parameters (Water Temperature)—P39 Only  
130311.....Environmental Parameters (Water Temperature)—P39 Only  
130312.....Environmental Parameters (Water Temperature)—P39 Only

### DIMENSIONS

**P39 Transducer**



**P79 Transducer**

