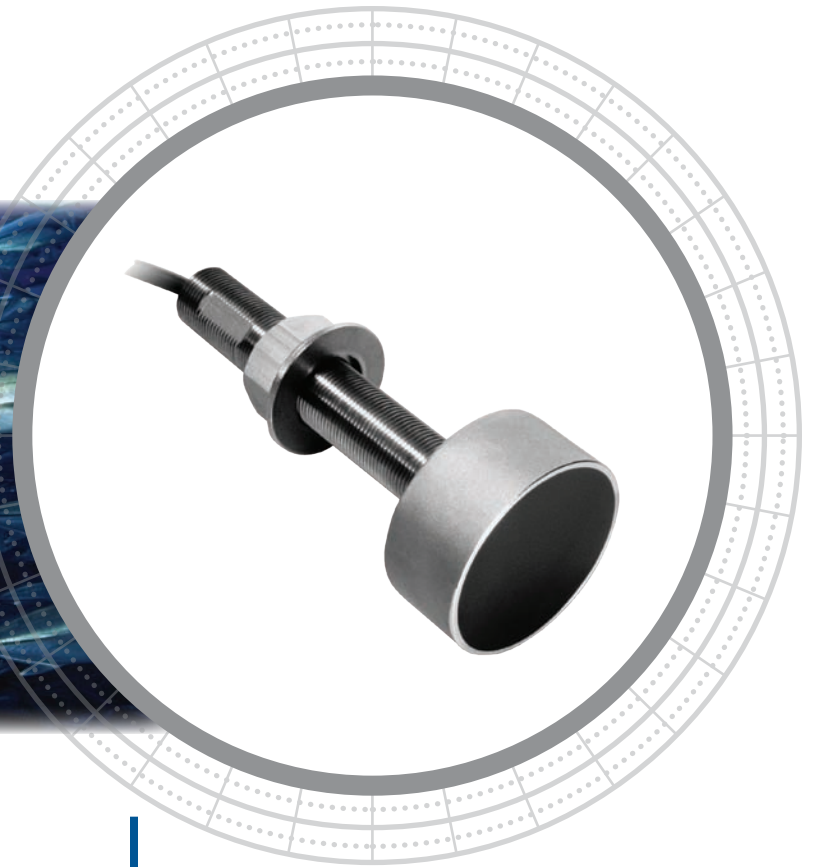


SS505



Impact Resistant

The SS505 is a compact, impact resistant, stainless steel stem for use on all hulls. The dual-frequency version provides good target detail in shallow-water at 200 kHz and good deep-water bottom tracking at 50 kHz. The narrow-beam 200 kHz version provides excellent bottom detail. Airmar's High-Performance Fairings are recommended for all installations to obtain the best possible performance.

Thru-Hull Long-Stem 600 W

Applications

- Planing hull powerboats
- Displacement hull boats

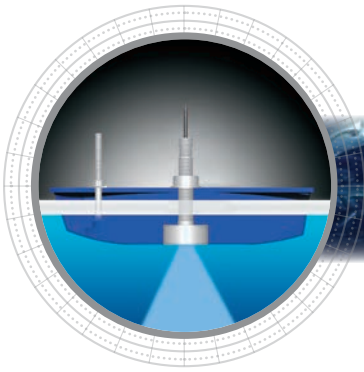
Features

- Good sensitivity in a compact housing
- Depth and temperature
- High-Performance Fairing reduces drag and directs smooth water over the transducer's face for excellent echosounder performance at all speeds
- Includes kit to isolate the stem from metal hulls, minimizing the possibility of electrolytic corrosion
- Fairing vertically orients sound beams for stronger return echoes resulting in optimal sounder performance
- Airmar's SS505 fairing is easy-to-cut and will not swell or rot
- Optional temperature sensor
- Stainless steel housing only
- Boat Size: 9 m (30') and up



Sensing Technology

www.airmar.com



Technical Information

50/200 kHz-A / 200 kHz-HIq			
Number of Elements and Configuration			
Beamwidth (@-3 dB)	45°	12°	8°
RMS Power (W)	600 W	600 W	600 W
TVR	155 dB	164 dB	xxx dB
RVR	-174 dB	-184 dB	-xxx dB
FOM*	-31	-21	-19
Q	28	31	7

MAXIMUM DEPTH RANGE		
50 kHz	200 kHz	200 kHz-HIq
235 m to 353 m (800' to 1,200')	118 m to 206 m (400' to 700')	176 m to 235 m (600' to 800')

SPECIFICATIONS
Weight: 1 kg (2.2 lb)
Hull Deadrise: Up to 28° with fairing
Acoustic Window: Urethane
Hole Diameter: 22 mm (7/8")

