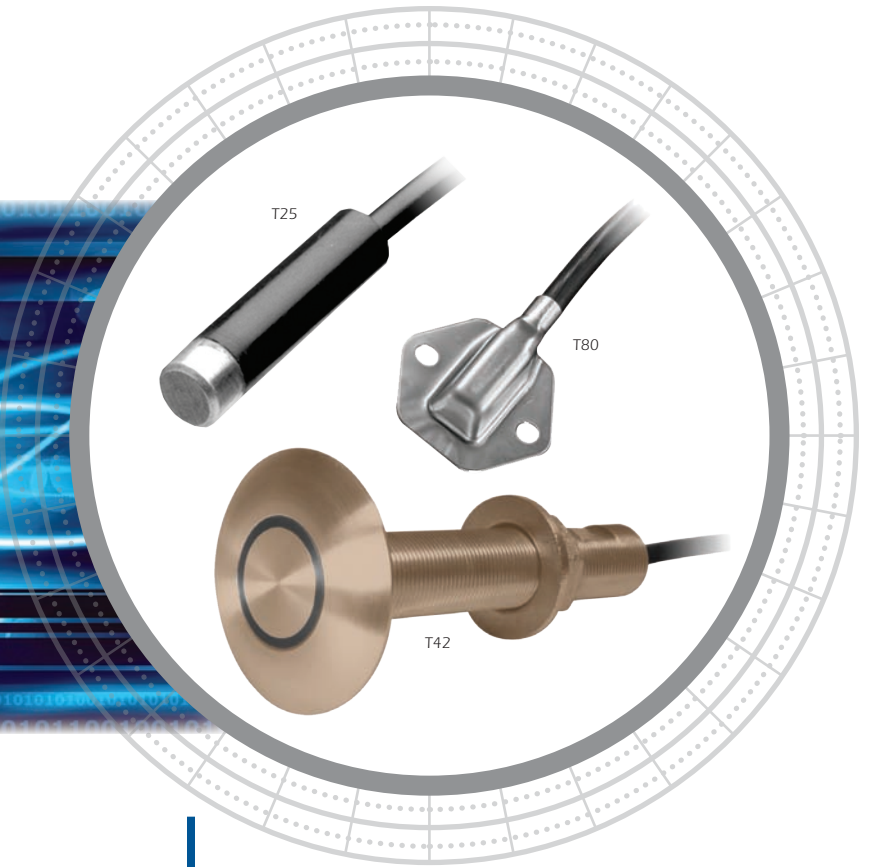


# T25 T80, T42



Airmar offers three styles of fully waterproof, stand-alone, temperature sensors to meet your demanding and rugged temperature sensing applications.

## Temperature on Equipment

The T25 has a very fast thermal response time in air and is well suited for sensing temperature on all types of industrial equipment.

## Liquid or Air Temperature

The T80 stainless steel model can be surface-mounted virtually anywhere to measure liquid or air temperature.

## Temperature in Water

The T42 bronze thru-hull senses temperature in water and can be mounted in vessels with fiberglass or wood hulls.

## Temperature Sensors

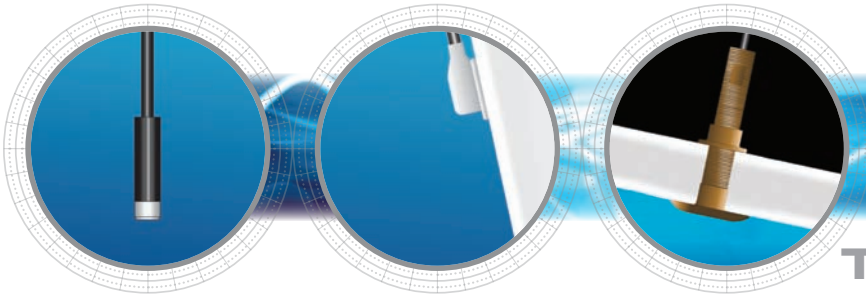
### Applications

- T25—Air temperature sensing
- T80—Liquid or air temperature measurement
- T42—Water temperature, thru-hull mounting on all fiberglass and wood boat hulls

### Features

- All units have a thermistor with 10,000 ohms nominal resistance at 25°C (77°F)
- Temperature only
- T25 plastic housing
- T80 stainless steel housing
- T42 bronze housing

# T25, T80, T42



## Technical Information

### SPECIFICATIONS

**Weight:**

—0.2 kg (0.5 lb)—T25

—0.2 kg (0.5 lb)—T80

—0.6 kg (1.3 lb)—T42

**Thermal Constant:** 15 seconds—T42**Temperature Accuracy:**  $\pm 2^\circ$ **Unicurve® Type Thermistor:** 10,000 ohms**Hole Diameter for Installation:** 22 mm (7/8")—T42**Temperature Range:** 0°C to 30°C (32°F to 86°F)

### DIMENSIONS

