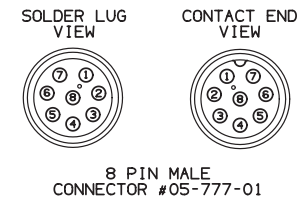
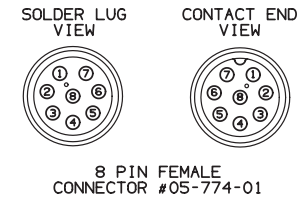
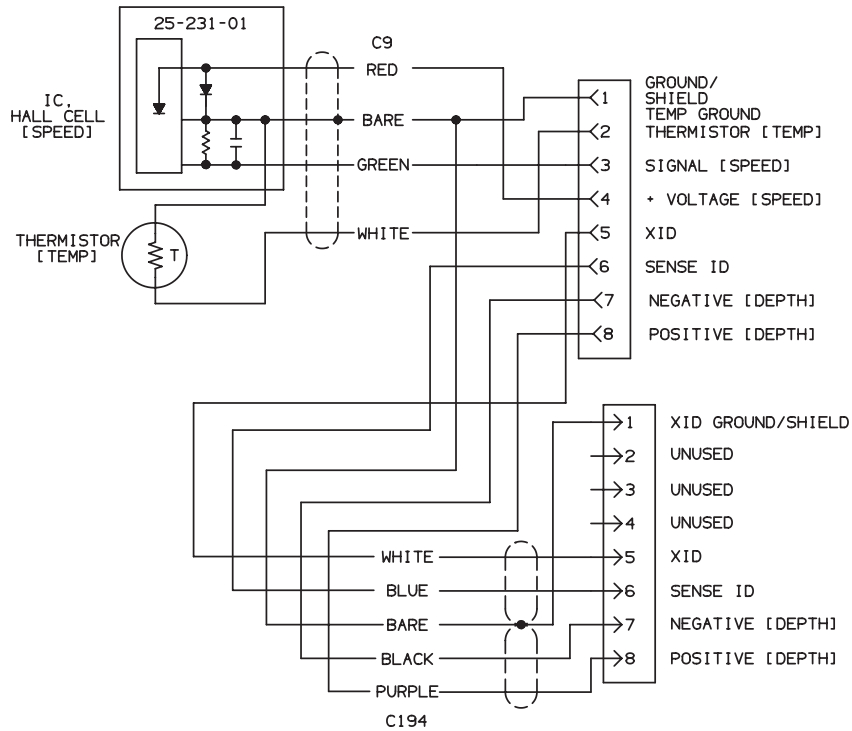


91-1069 REV 01



NOTE:

1. C9 BROWN IS CUT OFF ON BOTH ENDS.