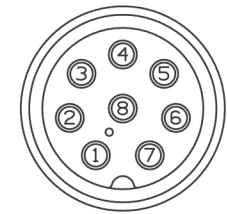
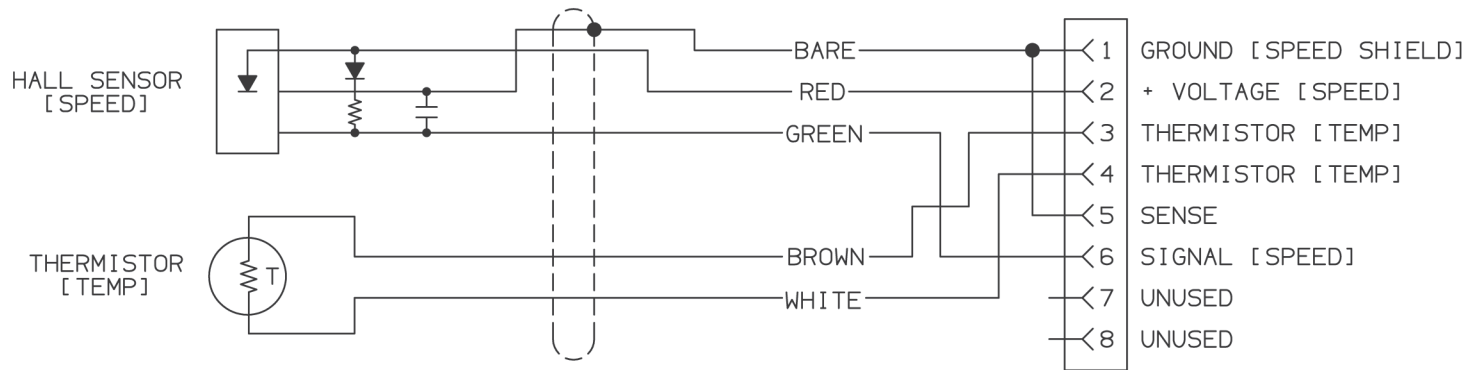
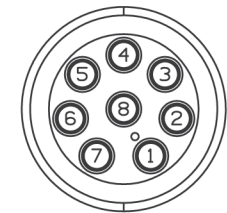


91-523 REV 01



CONTACT END VIEW



SOLDER LUG VIEW

8 PIN FEMALE
AIRMAR CONNECTOR

NOTE: JUMPER FROM PIN 1 TO PIN 5