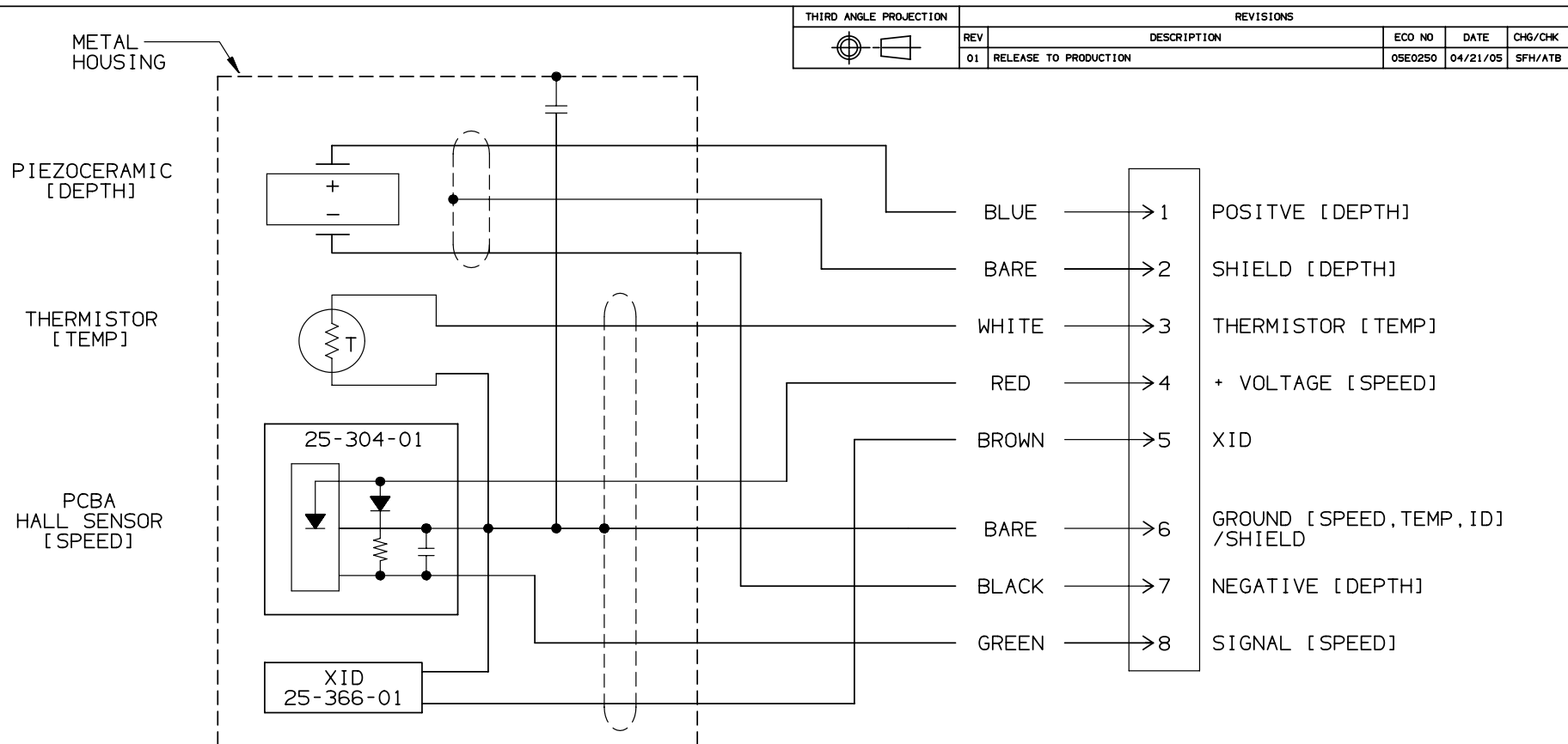
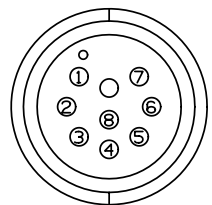


AIRMAR FORM #17-8026-1 REV 05



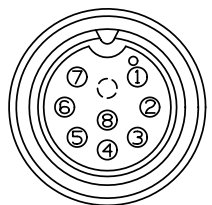
THIRD ANGLE PROJECTION		REVISIONS			
REV	DESCRIPTION	ECO NO	DATE	CHG/CHK	
01	RELEASE TO PRODUCTION	05E0250	04/21/05	SFH/ATB	

SOLDER LUG VIEW



8 PIN MALE CONNECTOR

CONTACT END VIEW



UNLESS OTHERWISE SPECIFIED DIMENSIONS ARE IN INCHES TOLERANCES ON 2 PL DECIMALS ±.02 3 PL DECIMALS ±.005 ANGLES ± 1/2° FRACTIONS ± 1/16 SURFACE FINISH 63	SIGNATURE		DATE
	DRAWN C. ANDREWS		02/11/04
	CHECKED J. JEFFERS		03/26/04
	CHECKED F. BEETCHER		06/04/04
MATERIAL			
AIRMAR CABLE #06-144 AIRMAR CONNECTOR #05-272-08			

		AIRMAR TECHNOLOGY CORPORATION 35 HEADSBROOK DR MILFORD NH 03055-4613 USA TEL: 603-673-9570 FAX: 603-673-4624	
		TITLE	
WIRING, TRIDUCER®, XID, 50/200kHz, C144, 8M-A CONNECTOR		SIZE	NUMBER
SCALE: NONE SHEET 1 OF 1		91-647 REV 01	