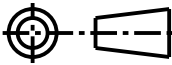
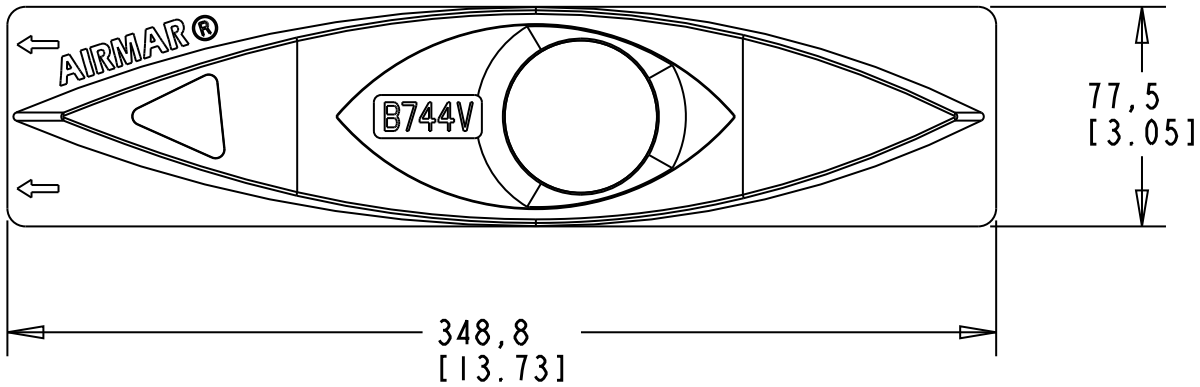
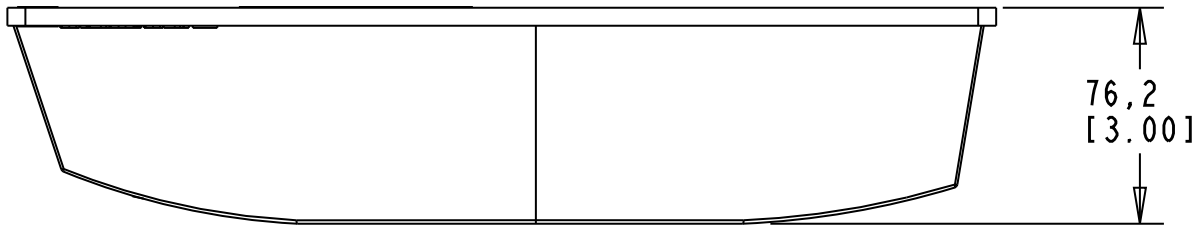



THIRD ANGLE PROJECTION 	REVISIONS				
	REV	DESCRIPTION	ECO NO	DATE	CHG/CHK
	01	RELEASE TO PRODUCTION.	10235	11/08/10	ALB/FSC



UNLESS OTHERWISE SPECIFIED DIMENSIONS ARE IN MM TOLERANCES ON 1 PL DECIMALS: ±0.1 2 PL DECIMALS: ±0.05 ANGLES: ±1/2°	SIGNATURE	DATE	 AIRMAR TECHNOLOGY CORPORATION 35 MEADOWBROOK DR MILFORD NH 03055-4613 USA TEL: 603-673-9570 FAX: 603-673-4624
	DRAWN: A. BAIRAMOV	09/09/03	
	CHECKED: F. CHASE	09/07/10	
	REDRAWN: R. CULLEN	10/30/10	TITLE
MATERIAL			OUTLINE DRAWING, FAIRING, B744V AND B765
HIGH IMPACT PLASTIC BACK FILLED WITH FOAM			SIZE A SCALE: NONE NUMBER 92-203-02 REV 01 SHEET 1 OF 1
THIS DOCUMENT AND THE DATA DISCLOSED HEREIN OR HEREWITH IS NOT TO BE REPRODUCED, USED, OR DISCLOSED IN WHOLE OR IN PART TO ANYONE WITHOUT THE PERMISSION OF AIRMAR.			CRITICAL DIMENSION DO NOT SCALE DRAWING