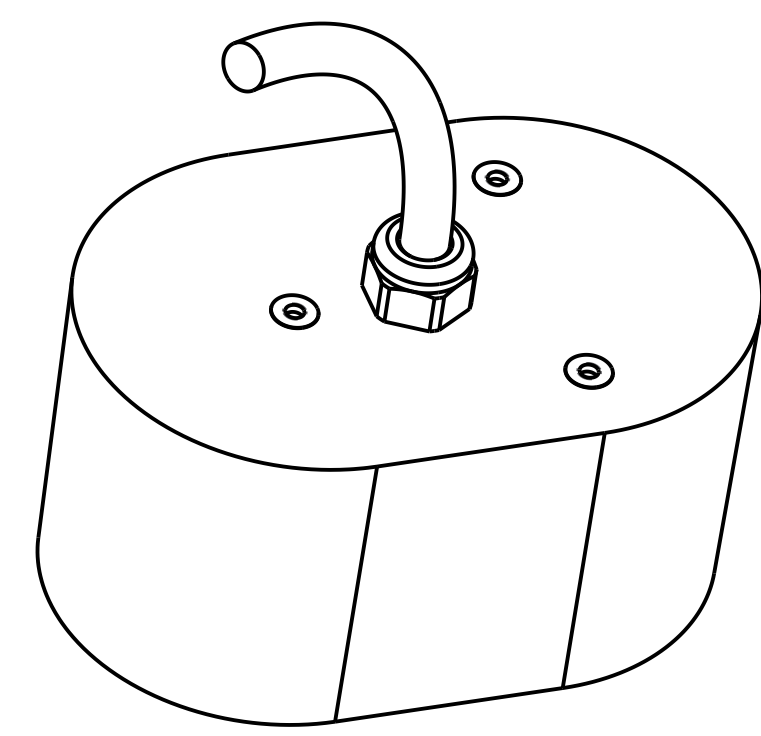
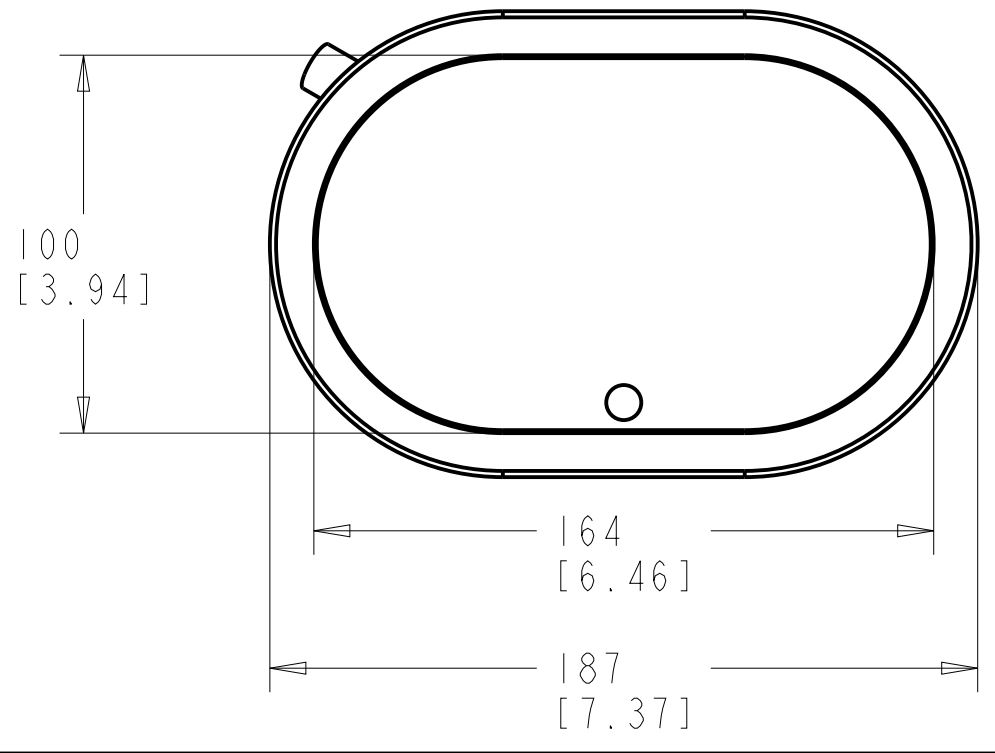
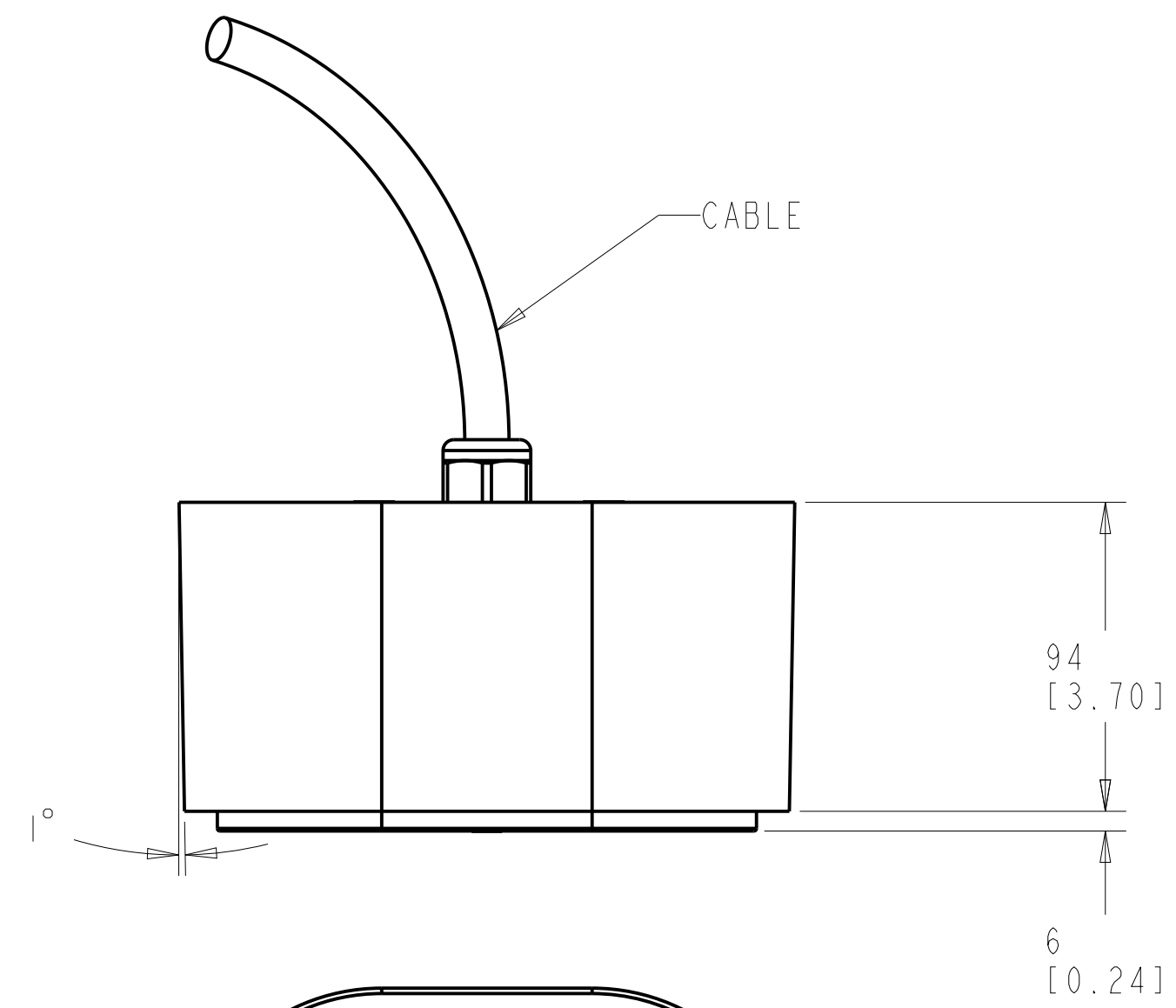
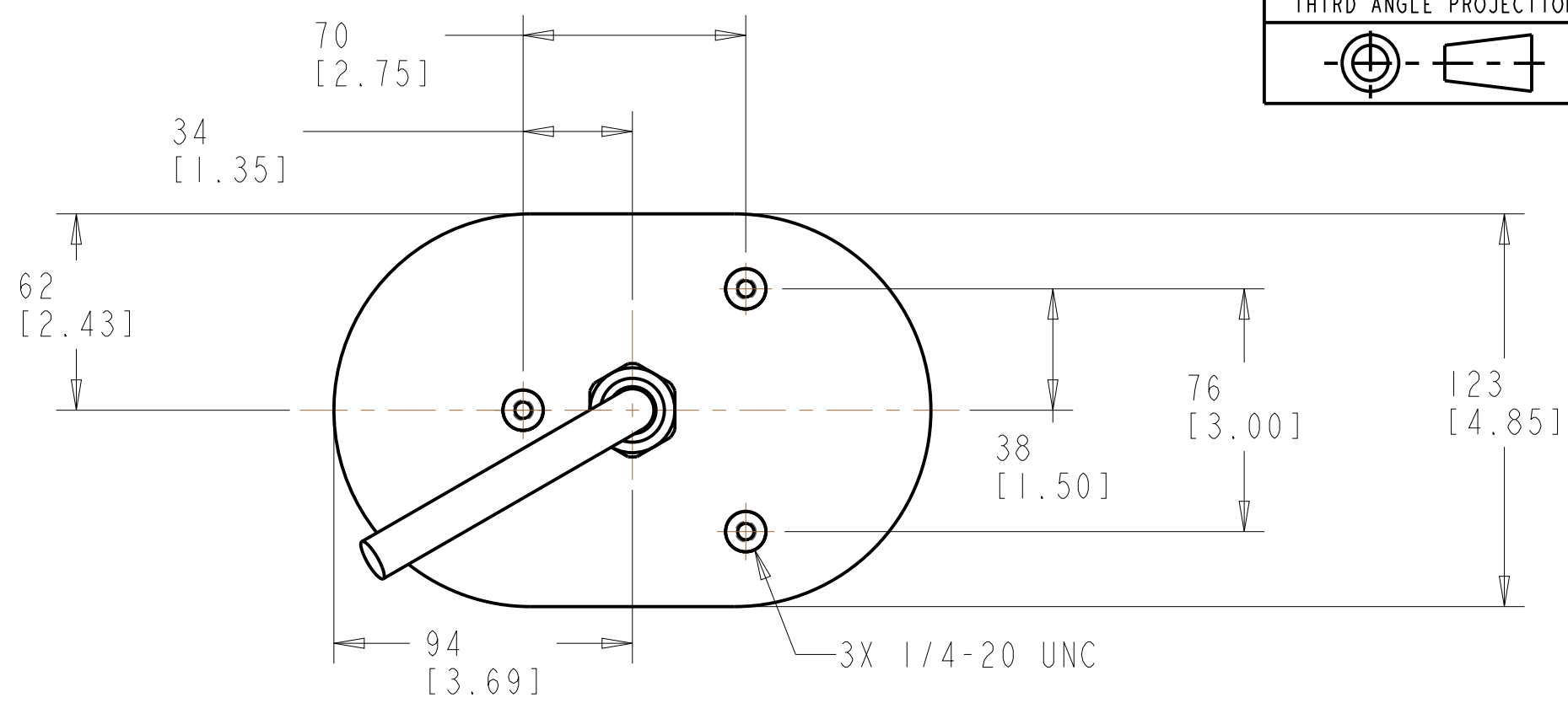


DOCUMENT REVISIONS				
REV	DESCRIPTION	CO NO.	DATE	CHG/CHK
1	INITIAL RELEASE	--	--	--
2	CHANGE TITLE FROM "CM260, CM265, CM275" TO "CM365".	2521	03/30/21	FSC/LRS



UNLESS OTHERWISE SPECIFIED		SIGNATURE	DATE	<p>AIRMAR TECHNOLOGY CORPORATION 35 MEADOWBROOK DR. MILFORD, NH 03055-4613 USA TEL: 603-673-9570 FAX: 603-673-4624</p>
DIMENSIONS ARE IN MM		DRAWN: D.SPALDING	05/31/18	
TOLERANCES ON		CHECKED: B.THOMPSON	01/16/20	
0 PL DECIMALS: ±1				
1 PL DECIMALS: ±0.5				TITLE
ANGLES: ±1/2°				CM365
FRACTIONS: ±1/16				OUTLINE DRAWING
MATERIAL		SIZE	SCALE: 1/2	DOC NUMBER
HOUSING, ACOUSTIC WINDOW: URETHANE		C	SHEET 1 OF 1	D-19056
				DOC REV
				2

PART NUMBER	N/A	P/N REV	N/A
-------------	-----	---------	-----

THIS DOCUMENT AND THE DATA DISCLOSED HEREIN OR HERewith IS NOT TO BE REPRODUCED, USED, OR DISCLOSED IN WHOLE OR IN PART TO ANYONE WITHOUT THE PERMISSION OF AIRMAR.

CRITICAL DIMENSION (REF) DO NOT SCALE DRAWING